



Contact us

If you are a small, medium or large scale food manufacturer seeking a high quality system to accurately fill jars, bottles, pots, tubs, ready meal trays, foils, cake tins, buckets, jerry cans, pouches or bags, then Riggs Autopack could have the right solution for you.

For more information on our range of equipment, please visit our website. Alternatively, to discuss your specific requirements or to book a no obligation machine trial don't hesitate to contact us.

Premier Mill, Brunswick Street
Nelson, Lancashire BB9 0HU, UK

T +44 (0) 1282 440 040
F +44 (0) 1282 440 041
E enquiries@riggsautopack.co.uk

www.riggsautopack.co.uk

[@riggsautopack](https://twitter.com/riggsautopack)



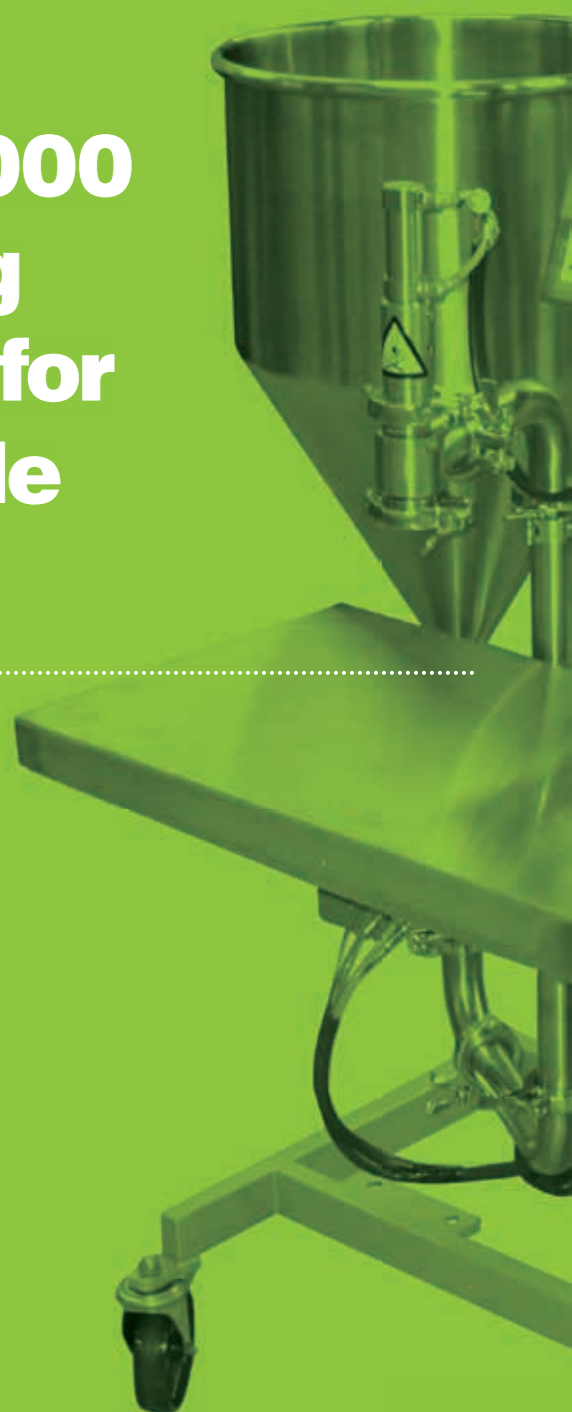
Series Three

This popular Model 1000 semi-automatic filling machine is designed for small to medium scale food producers

Riggs Autopack is an award winning, British manufacturer of high quality volumetric depositors and filling machines, transfer pumps and bespoke conveyor filling lines.

We are a UK market leader with an excellent reputation and supply our equipment primarily to the food production industry.

www.riggsautopack.co.uk



Available as a semi-automatic filling machine with height adjustable filling table and foot pedal operation



This high quality filling machine provides damage free and highly precise depositing of hot or cold liquid based products, including semi-liquid and suspended solids. It accurately fills most types or sizes of container, and is available with a product hopper or direct feed from a cooking kettle / holding tank.

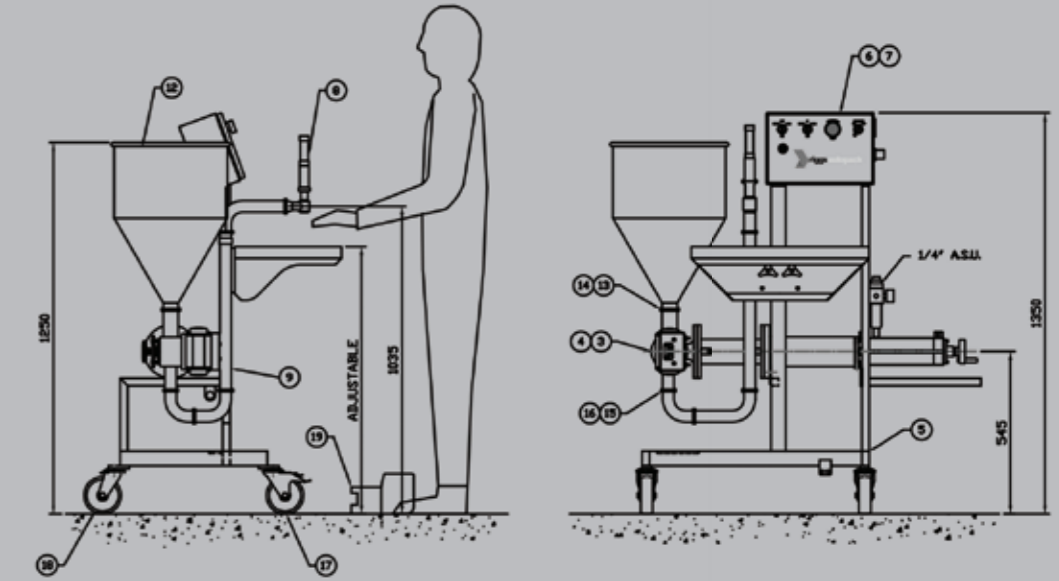
For manufacturers who need to improve production rates by moving away from manual filling to an accurate and repeated process.

Features include

- + Volumetric piston pump technology
- + High quality, robust construction
- + Suitable for small to medium scale batch production
- + Designed for hot, cold or ambient liquid and semi-liquid products
- + Highly accurate depositing of hot goods up to 120°C
- + Damage free product handling
- + Accurately fills most container types and size
- + Deposit range up to 5000ml per cycle
- + Depositing nozzle to suit to ensure clean cut-off
- + Height adjustable filling table
- + Mobile frame with lockable castors
- + Nitrite / viton / ptfе / ptfе encapsulated seals
- + 316 stainless steel used for all contact parts
- + 304 stainless steel used for non-contact parts
- + 40 litre hopper with welded edge (no bug traps)
- + Built to stringent health & safety standards
- + Hygienic, quick to strip down, easy to clean
- + Easy to use, simple to maintain
- + Requires compressed air supply



Model 1000 / Series Three



Suitable applications typically include

- + Jam, Preserves & Honey
- + Condiments & Sauces
- + Pate, Dips & Spreads
- + Coleslaw & Pasta Salads
- + Sandwich & Pie Fillings
- + Soup & Ready Meals
- + Cakes, Puddings & Desserts
- + Dairy Goods
- + Seafood Products
- + Non-Food Industry

Semi-Automatic

This requires an operator to position an empty container underneath the depositing nozzle of the filling machine. The machine start and product deposit cycle is initiated by means of pressing a push button or foot pedal. At the end of the deposit cycle, the filled container is manually removed from the fill position by the operator.

Semi-automatic filling machines can be easily converted to fully automatic and operate in conjunction with a conveyor if production levels increase at a later date.

Piston Pump Barrel Options

STANDARD FILL	
PUMP BORE	DEPOSIT RANGE
Ø38 x 160mm	10ml - 170ml (1.5")
Ø58 x 160mm	25ml - 400ml (2.285")
Ø71 x 160mm	50ml - 600ml (2.8")
Ø101 x 160mm	125ml - 1200ml (4.0")

MAXI FILL	
PUMP BORE	DEPOSIT RANGE
Ø130 x 205mm	200ml - 2500ml (5.125")
Ø130 x 250mm	200ml - 3300ml (5.125"S)
Ø165 x 250mm	500ml - 5000ml (6.5")

Fully Automatic

An empty container is automatically presented underneath the depositing nozzle via a conveyor. The filling machine, which can be a single or multi-head configuration, then accepts an external signal from the conveyor to start an automatic depositing cycle. At the end of this cycle, the filled container is automatically removed from the fill position.

